

MODEL PAXCDC -MODBUS OUTPUT OPTION CARD

DESCRIPTION

This product bulletin covers the MODBUS Communication Card for the PAX Meters. The card will allow the PAX Meter to transmit Display Values,

Setpoints and Reset Values via MODBUS RS485 communication, in the RTU and ASCII modes.

INSTALLING AN OPTION CARD

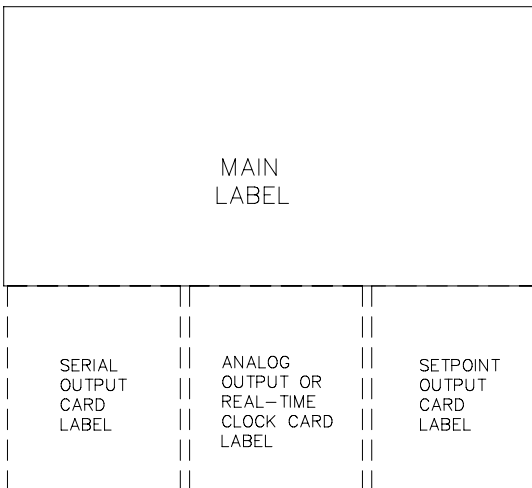
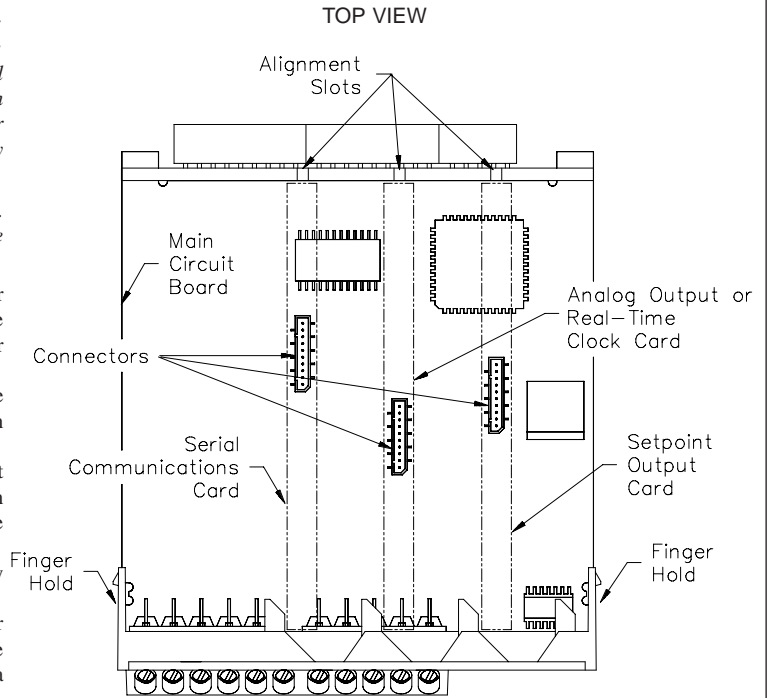


Caution: The option and main circuit cards contain static sensitive components. Before handling the cards, discharge static charges from your body by touching a grounded bare metal object. Ideally, handle the cards at a static controlled clean workstation. Also, only handle the cards by the edges. Dirt, oil or other contaminants that may contact the cards can adversely affect circuit operation.



Warning: Exposed line voltage exists on the circuit boards. Remove all power to the meter AND load circuits before accessing the unit.

1. Remove the main assembly from the rear of the case. Squeeze the finger holds on the rear cover, or use a small screwdriver to depress the side latches to release it from the case. It is not necessary to separate the rear cover from the main circuit card.
2. Locate the option card connector for the type of option card to be installed. Hold the unit by the rear connector, not the display board, when installing an option card.
3. Install the option card by aligning the option card connector with the slot in the rear cover. The cards are keyed by position with different main board connector locations. Be sure the connector is fully engaged and the tab on the option card rests in the alignment slot on the display board.
4. Slide the assembly back into the case. Be sure the rear cover latches fully into the case.
5. Apply the option card label to the bottom side of the meter. Do not cover the vents on the top surface of the meter. The surface of the case must be clean for the label to adhere properly. Apply the label to the area designated by the large case label.
6. See manual for wiring connections and programming procedures.

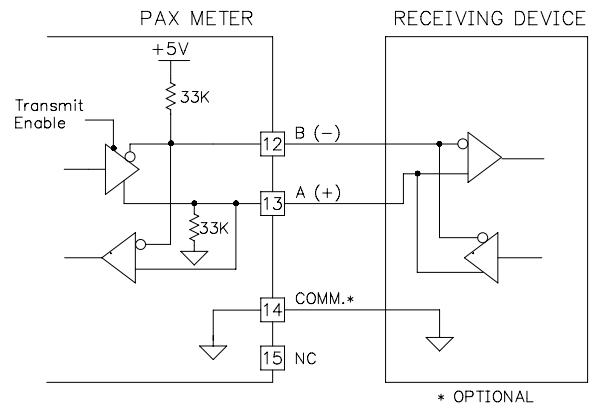


MODBUS SPECIFICATIONS

1. **Type:** RS485; RTU and ASCII MODBUS modes
2. **Isolation To Sensor & User Input Commons:** 500 Vrms for 1 minute. Working Voltage: 50 V. Not isolated from all other commons.
3. **Baud Rates:** 300 to 38400.
4. **Data:** 7/8 bits
5. **Parity:** No, Odd, or Even
6. **Addresses:** 1 to 247.
7. **Transmit Delay:** Programmable; See Transmit Delay explanation.

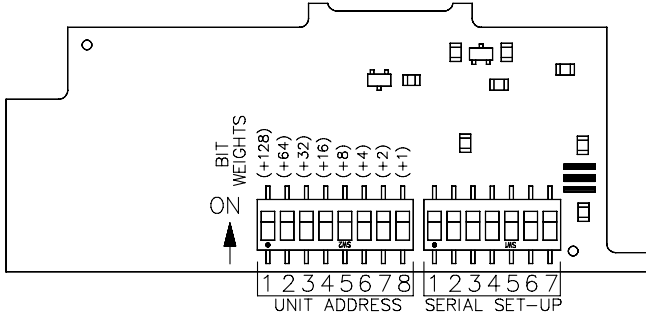
ORDERING INFORMATION

| MODEL | DESCRIPTION | PART NUMBER |
|--------|--|-------------|
| PAXCDC | PAX MODBUS Output Card | PAXCDC40 |
| | PAX MODBUS Output Card with RJ11 Connector | PAXCDC4C |



SERIAL SET-UP DIP SWITCH OPERATION

Serial port configuration is accomplished through two banks of DIP switches on the MODBUS card. The bank of 8 switches sets the Unit Address, the bank of 7 switches sets the Serial port parameters (ASCII/RTU, 7/8 bits, Parity, and Baud rate). Changes to the switch settings are only detected on power-up of the unit. After changing a switch setting, power to the unit must be cycled for the new switch setting to take effect.



Both unit address and serial set-up are set via DIP switches on the MODBUS option card. See the DIP switch setting table for more details on these DIP switches.

For the Unit Address bank, the high order bit is switch 1, and the ON position is a '1', the OFF position is a '0'. Legal unit addresses are 1 to 247. When a Unit Address of 0 is selected, the card responds to Unit Address 1. When a Unit Address of 248 through 255 is selected, the card responds to Unit Address 247.

For the serial bank, the following settings apply:

| SWITCH | SETTINGS AVAILABLE | | FACTORY SETTINGS |
|--------|--------------------|-----------------------------------|------------------|
| 1 | OFF: ASCII | ON: RTU | RTU |
| 2 | OFF: 7 Bits | ON: 8 Bits | 8 Bits |
| 3 | OFF: None | ON: Parity | No Parity |
| 4 | OFF: Even | ON: Odd | OFF |
| 5 | Baud Rate | (See Baud Rate Switch Selections) | 9600 |
| 6 | Baud Rate | | |
| 7 | Baud Rate | | |

BAUD RATE SWITCH SELECTIONS

| | 5 | 6 | 7 |
|--------|-----|-----|-----|
| 38400: | ON | ON | ON |
| 19200: | ON | ON | OFF |
| 9600: | ON | OFF | ON |
| 4800: | ON | OFF | OFF |
| 2400: | OFF | ON | ON |
| 1200: | OFF | ON | OFF |
| 600: | OFF | OFF | ON |
| 300: | OFF | OFF | OFF |

MODBUS SUPPORTED FUNCTION CODES

COIL FUNCTIONS

FC01: Read Coils

FC05: Force Single Coil, FC15: Force Multiple Coils.

- Valid coil addresses are 1-49.
- Block starting point can not exceed coil 49.

HOLD REGISTER FUNCTIONS

FC03: Read Holding Registers.

FC06: Preset Single Register, FC16: Preset Multiple Registers.

- Valid register address are 40001 – 40039, 40041, 40042, 41001 – 41010.
- Up to 16 registers can be requested at one time.
- Block starting point can not exceed the register boundaries.
- Holding registers are a mirror of Input registers (FC04).
- Unused registers will return a value of HEX <8000>.
- If a register is implemented, but does not exist for a particular unit configuration (such as SP3, SP4) a value of HEX <0000> will be returned.
- Registers 41001 – 41010 contain the slave ID. See FC17.
- Broadcast write is supported for FC06 & FC16. Register writes using address "0" will be recognized by the MODBUS card, regardless of address DIP switch setting.

OTHER SUPPORTED FUNCTIONS

FC04:

Returns the same values as FC03, except the register number starts with "3"
(Ex: Pax Input Hi is 30001)

FC08 – Fetch Comm. Event Counter.

The MODBUS response breaks down as follows:

```
“:010804”<TOT HI><TOT LO><GOOD HI><GOOD LO>XX<CR><LF>
```

The “TOT HI” and “TOT LO” values are the total number of messages that were received, that started with the card’s address. The “GOOD HI” and “GOOD LO” are “good” messages (correct address, parity, and checksum). The values are reset on power up and every time the FC08 function is requested.

FC17 - Report Slave ID.

The following is sent upon FC17 request:

Unit Address, 17 (FC code), RLC-PAX(I or ?) 00?0, 0100 (for code version 1.00), 16 (number of read supported registers), 16 (number of write supported registers), 00 (number of registers available for GUID/Scratch pad memory), checksum of the string.

The following is the HEX of a PAXI (with unit address of 247):

```
<F7><11><14><52><4C><43><2D><50><41><58><49><30><30><3F>  
<30><01><00><00><10><00><10><00><00><XX><CR><LF>
```

XX is the LRC Checksum

PAX MANUAL MODE DESCRIPTION

(CSR) Control Status Register [40021]

The Control Status Register is used to directly control the meter's outputs (setpoints and analog output), or view the state of the setpoint outputs and the status of the temperature sensor (PAXT only). The register is bit mapped with each bit position within the register assigned to a particular control function. The control functions are invoked by writing to each bit position. The bit position definitions are:

| | | |
|--------------------|-----------------------------------|---|
| bit 0: SP1 Output | } 0 = output off 1 = output on | bit 5: Always stays 0, even if 1 is sent. |
| bit 1: SP2 Output | | bit 6: Sensor Status (PAXT only) |
| bit 2: SP3 Output | | 0 = sensor normal |
| bit 3: SP4 Output | | 1 = sensor fail |
| bit 4: Manual Mode | | bit 7: Always stays 0, even if 1 is sent. |
| 0 = automatic mode | | |
| 1 = manual mode | | |

In Manual Mode, the setpoint outputs are defined by the values written to bits b0, b1, b2, b3; and the analog output is defined by the value written to the AOR. Internal control of these outputs is then overridden. In automatic mode, the setpoint outputs can only be reset off.

(MMR) Auto/Manual Mode Register [40036] (PAXI/PAXCK)

This register sets the controlling mode for the outputs. In Auto Mode (0) the meter controls the setpoint output. In Manual Mode (1) the outputs are defined by the registers SOR. When transferring from auto mode to manual mode, the meter holds the last output value (until the register is changed by a write). Each output may be independently changed to auto or manual. Select values to place in manual mode by writing appropriate value to holding register 40036. The bit position definitions are:

| | | | |
|----------------------|------------------------------------|--------------|------------------------------------|
| PAXI | | PAXCK | |
| bit 0: Analog Output | } 0 = Auto Mode 1 = Manual Mode | bit 0: SP4 | } 0 = Auto Mode 1 = Manual Mode |
| bit 1: SP4 | | bit 1: SP3 | |
| bit 2: SP3 | | bit 2: SP2 | |
| bit 3: SP2 | | bit 3: SP1 | |
| bit 4: SP1 | | | |

Examples:

- Select manual mode for all outputs (PAX):
Value to write to holding register 40021: 0010h
- Select manual mode for all outputs and AOR (PAXI, PAXCK):
Value to write to holding register 40036: 001Fh

(SOR) Setpoint Output Register [40038] (PAXI/PAXCK)

This register is used to view or change the states of the setpoint outputs. Reading from this register will show the present state of all the setpoint outputs. A "0" in the setpoint location means the output is inactive and a "1" means the output is active.

In Automatic Mode (See MMR Description), the meter controls the setpoint output state. In Manual Mode, writing to this register will change the output state. The bit position definitions are:

| | |
|------------|-----------------------------------|
| bit 0: SP1 | } 0 = Output off 1 = Output on |
| bit 1: SP2 | |
| bit 2: SP3 | |
| bit 3: SP4 | |

Examples:

- Turn all outputs on:
Value to write to holding register 40038: 000Fh.
- Turn outputs 1, 3 on:
Value to write to holding register 40038: 0005h.
- Turn all outputs off:
Value to write to holding register 40038: 0000h.

(AOR) Analog Output Register (Not PAXCK)

The Analog Output Register controls the analog output of the meter. The manual mode must first be engaged by setting bit 4 of the CSR (PAX) or bit 0 of the MMR (PAXI). The range of values of this register is 0 to 4095, which corresponds to 0 mA, 0 V and 20 mA, 10 V; respectively. If a value larger than 4095 is written to the AOR register, 4095 will be loaded. The table lists correspondence of the output signal with the register value.

| Register Value | Output Signal* | |
|----------------|----------------|--------|
| | I (mA) | V (V) |
| 0 | 0.000 | 0.000 |
| 1 | 0.005 | 0.0025 |
| 2047 | 10.000 | 5.000 |
| 4094 | 19.995 | 9.9975 |
| 4095 | 20.000 | 10.000 |

**Due to the absolute accuracy rating and resolution of the output card, the actual output signal may differ 0.15% FS from the table values. The output signal corresponds to the range selected (20 mA or 10 V).*

Writing to this register while the meter is in the manual mode causes the output signal to update immediately. While in the automatic mode, this register may be written to, but the output will not update until the meter is placed in manual mode.

Examples:

- Set output to full scale:
Value to write to holding register 40020 (PAX) or 40037 (PAXI): 0FFFh (4095).
- Set output to zero scale:
Value to write to holding register 40020 (PAX) or 40037 (PAXI): 0000h (0).

HOLDING REGISTERS

| HOLDING REGISTER | SETTING | | |
|------------------|------------------------|----------|---------------|
| | PAX | PAXI | PAXCK |
| 40001: | Input (HI) | CTA (HI) | Timer (HI) |
| 40002: | Input (LO) | CTA (LO) | Timer (LO) |
| 40003: | Total (HI) | CTB (HI) | Counter (HI) |
| 40004: | Total (LO) | CTB (LO) | Counter (LO) |
| 40005: | Min (HI) | CTC (HI) | RTC Time (HI) |
| 40006: | Min (LO) | CTC (LO) | RTC Time (LO) |
| 40007: | Max (HI) | RTE (HI) | RTC Date (HI) |
| 40008: | Max (LO) | RTE (LO) | RTC Date (LO) |
| 40009: | SP1 (HI) | Min (HI) | SP1 (HI) |
| 40010: | SP1 (LO) | Min (LO) | SP1 (LO) |
| 40011: | SP2 (HI) | Max (HI) | SP2 (HI) |
| 40012: | SP2 (LO) | Max (LO) | SP2 (LO) |
| 40013: | SP3 (HI) | SFA (HI) | SP3 (HI) |
| 40014: | SP3 (LO) | SFA (LO) | SP3 (LO) |
| 40015: | SP4 (HI) | SFB (HI) | SP4 (HI) |
| 40016: | SP4 (LO) | SFB (LO) | SP4 (LO) |
| 40017: | Polling1 * | SFC (HI) | SP1 Off (HI) |
| 40018: | Reset * | SFC (LO) | SP1 Off (LO) |
| 40019: | TRX Delay ³ | LDA (HI) | SP2 Off (HI) |
| 40020: | AOR ² | LDA (LO) | SP2 Off (LO) |
| 40021: | CSR | LDB (HI) | SP3 Off (HI) |
| 40022: | Terminate1 | LDB (LO) | SP3 Off (LO) |

| HOLDING REGISTER | SETTING | | |
|------------------|---------|------------------------|------------------------|
| | PAX | PAXI | PAXCK |
| 40023: | —— | LDC (HI) | SP4 Off (HI) |
| 40024: | —— | LDC (LO) | SP4 Off (LO) |
| 40025: | —— | SP1 (HI) | Timer Start (HI) |
| 40026: | —— | SP1 (LO) | Timer Start (LO) |
| 40027: | —— | SP2 (HI) | Counter Start (HI) |
| 40028: | —— | SP2 (LO) | Counter Start (LO) |
| 40029: | —— | SP3 (HI) | Timer Stop (HI) |
| 40030: | —— | SP3 (LO) | Timer Stop (LO) |
| 40031: | —— | SP4 (HI) | Counter Stop (HI) |
| 40032: | —— | SP4 (LO) | Counter Stop (LO) |
| 40033: | —— | Polling1 * | Polling1 * |
| 40034: | —— | Polling2 * | Polling2 * |
| 40035: | —— | TRX Delay ³ | TRX Delay ³ |
| 40036: | —— | MMR | MMR |
| 40037: | —— | AOR ² | RTC Day |
| 40038: | —— | SOR | SOR |
| 40039: | —— | Reset * | Reset * |
| 40040: | —— | | |
| 40041: | —— | Terminate1 | Terminate1 |
| 40042: | —— | Terminate2 | Terminate2 |

* See Coil Table for register mapping and Coil Descriptions for functionality.

Notes:

1. Any registers marked with “——” are unused and will return a value of HEX <8000>.
2. If a value larger than 4095 is written to the AOR register, 4095 will be loaded.
3. TRX delay is the minimum time from the reception of the last character in the MODBUS Query until the response is started. The minimum delay value is equal to 2 character times (2 msec min.). The user can increase the delay time by writing to the TRX Delay register. Any value written to the TRX Delay register that is less than the value calculated at power up will be ignored. The TRX Delay value is stored in E²PROM memory. On power-up, the calculated value is compared to the value read back from the E²PROM. The greater of the 2 values will be used as the TRX Delay value and will be written to the TRX Delay register.

COIL TABLE

| COIL ADDRESS | COIL NUMBER | PAX | | PAXI | | PAXCK | |
|--------------|-------------|----------------|-----------------|----------------|-----------------|--------------------|-----------------|
| | | COIL NAME | MIRROR REGISTER | COIL NAME | MIRROR REGISTER | COIL NAME | MIRROR REGISTER |
| 01 | 0 | SP1 Output | 40021 (bit 0) | SP1 Output | 40038 (bit 0) | SP1 Output | 40038 (bit 0) |
| 02 | 1 | SP2 Output | 40021 (bit 1) | SP2 Output | 40038 (bit 1) | SP2 Output | 40038 (bit 1) |
| 03 | 2 | SP3 Output | 40021 (bit 2) | SP3 Output | 40038 (bit 2) | SP3 Output | 40038 (bit 2) |
| 04 | 3 | SP4 Output | 40021 (bit 3) | SP4 Output | 40038 (bit 3) | SP4 Output | 40038 (bit 3) |
| 05 | 4 | Reset Max | 40018 (bit 2) | Reset Max | 40039 (bit 2) | ----- | ----- |
| 06 | 5 | Reset Min | 40018 (bit 3) | Reset Min | 40039 (bit 3) | ----- | ----- |
| 07 | 6 | ----- | ----- | Reset CNT A | 40039 (bit 7) | Reset Timer | 40039 (bit 7) |
| 08 | 7 | ----- | ----- | Reset CNT B | 40039 (bit 6) | Reset Counter | 40039 (bit 6) |
| 09 | 8 | ----- | ----- | Reset CNT C | 40039 (bit 5) | ----- | ----- |
| 10 | 9 | Reset Total | 40018 (bit 4) | ----- | ----- | ----- | ----- |
| 11 | 10 | Poll Input | 40017 (bit 0) | Poll CNT A | 40033 (bit 0) | Poll Timer | 40033 (bit 0) |
| 12 | 11 | Poll Total | 40017 (bit 1) | Poll CNT B | 40033 (bit 1) | Poll Counter | 40033 (bit 1) |
| 13 | 12 | Poll Max | 40017 (bit 2) | Poll MAX | 40033 (bit 2) | Poll SP2 | 40033 (bit 2) |
| 14 | 13 | Poll Min | 40017 (bit 3) | Poll MIN | 40033 (bit 3) | Poll SP1 | 40033 (bit 3) |
| 15 | 14 | Poll SP1 | 40017 (bit 4) | Poll SP1 | 40033 (bit 4) | Poll Timer Start | 40033 (bit 4) |
| 16 | 15 | Poll SP2 | 40017 (bit 5) | Poll SP2 | 40033 (bit 5) | Poll Counter Start | 40033 (bit 5) |
| 17 | 16 | Poll SP3 | 40017 (bit 6) | Poll SP3 | 40033 (bit 6) | Poll Timer Stop | 40033 (bit 6) |
| 18 | 17 | Poll SP4 | 40017 (bit 7) | Poll SP4 | 40033 (bit 7) | Poll Counter Stop | 40033 (bit 7) |
| 19 | 18 | Poll AOR | 40017 (bit 8) | Poll AOR | 40033 (bit 8) | Poll Day | 40033 (bit 8) |
| 20 | 19 | Poll CSR | 40017 (bit 9) | Poll SOR | 40033 (bit 9) | Poll SOR | 40033 (bit 9) |
| 21 | 20 | Term Total | 40022 (bit 0) | Poll CNT C | 40033 (bit 10) | Poll RTC Time | 40033 (bit 10) |
| 22 | 21 | Term Max | 40022 (bit 1) | Poll RATE | 40033 (bit 11) | Poll RTC Date | 40033 (bit 11) |
| 23 | 22 | Term Min | 40022 (bit 2) | Poll SFA | 40033 (bit 12) | Poll SP3 | 40033 (bit 12) |
| 24 | 23 | Term SP1 | 40022 (bit 3) | Poll SFB | 40033 (bit 13) | Poll SP4 | 40033 (bit 13) |
| 25 | 24 | Term SP2 | 40022 (bit 4) | Poll SFC | 40033 (bit 14) | Poll SP1 Off | 40033 (bit 14) |
| 26 | 25 | Term SP3 | 40022 (bit 5) | Poll LDA | 40033 (bit 15) | Poll SP2 Off | 40033 (bit 15) |
| 27 | 26 | Term SP4 | 40022 (bit 6) | Poll LDB | 40034 (bit 0) | Poll SP3 Off | 40034 (bit 0) |
| 28 | 27 | Term AOR | 40022 (bit 7) | Poll LDC | 40034 (bit 1) | Poll SP4 Off | 40034 (bit 1) |
| 29 | 28 | Term CSR | 40022 (bit 8) | Poll MMR | 40034 (bit 2) | Poll MMR | 40034 (bit 2) |
| 30 | 29 | Response Delay | 40017 (bit 10) | Response Delay | 40034 (bit 3) | Response Delay | 40034 (bit 3) |
| 31 | 30 | ----- | ----- | Term CNT A | 40041 (bit 0) | Term Timer | 40041 (bit 0) |
| 32 | 31 | ----- | ----- | Term CNT B | 40041 (bit 1) | Term Count | 40041 (bit 1) |
| 33 | 32 | ----- | ----- | Term CNT C | 40041 (bit 2) | Term RTC Time | 40041 (bit 2) |
| 34 | 33 | ----- | ----- | Term Rate | 40041 (bit 3) | Term RTC Date | 40041 (bit 3) |
| 35 | 34 | ----- | ----- | Term Min | 40041 (bit 4) | Term SP1 | 40041 (bit 4) |
| 36 | 35 | ----- | ----- | Term Max | 40041 (bit 5) | Term SP2 | 40041 (bit 5) |
| 37 | 36 | ----- | ----- | Term SFA | 40041 (bit 6) | Term SP3 | 40041 (bit 6) |
| 38 | 37 | ----- | ----- | Term SFB | 40041 (bit 7) | Term SP4 | 40041 (bit 7) |
| 39 | 38 | ----- | ----- | Term SFC | 40041 (bit 8) | Term SP1 Off | 40041 (bit 8) |
| 40 | 39 | ----- | ----- | Term LDA | 40041 (bit 9) | Term SP2 Off | 40041 (bit 9) |
| 41 | 40 | ----- | ----- | Term LDB | 40041 (bit 10) | Term SP3 Off | 40041 (bit 10) |
| 42 | 41 | ----- | ----- | Term LDC | 40041 (bit 11) | Term SP4 Off | 40041 (bit 11) |
| 43 | 42 | ----- | ----- | Term SP1 | 40041 (bit 12) | Term Time Start | 40041 (bit 12) |
| 44 | 43 | ----- | ----- | Term SP2 | 40041 (bit 13) | Term Count Start | 40041 (bit 13) |
| 45 | 44 | ----- | ----- | Term SP3 | 40041 (bit 14) | Term Time Stop | 40041 (bit 14) |
| 46 | 45 | ----- | ----- | Term SP4 | 40041 (bit 15) | Term Count Stop | 40041 (bit 15) |
| 47 | 46 | ----- | ----- | Term AOR | 40042 (bit 0) | Term MMR | 40042 (bit 0) |
| 48 | 47 | ----- | ----- | Term MMR | 40042 (bit 1) | Term Day | 40042 (bit 1) |
| 49 | 48 | ----- | ----- | Term SOR | 40042 (bit 2) | Term SOR | 40042 (bit 2) |

COIL DESCRIPTIONS

Coils 1-4: Output Coils

These coils are used to read or change the states of the Setpoint Outputs. To change the state of the output(s), the output(s) must be in manual mode. Refer to the CSR or MMR/SOR registers in the Manual Mode Description section.

Coils 5-10: Reset Coils

These coils are used to perform the Reset command for the values listed. Forcing the coil "on" causes the appropriate value in the unit to be reset. The coil is cleared after the command is executed, therefore, the coil value read will always be 0 (zero).

Coils 11-29: Polling Coils

The MODBUS card is continually requesting values from the PAX unit. The polling bit coils determine what values are requested during each loop. Setting the coils to "1" enables the card to poll that particular value. A "0" value disables it. Turning polling coils off allows the user to request fewer values and therefore decreases the internal loop time, which allows the values that are polled to be updated more often.

If a MODBUS read is issued for any value, that value is automatically updated to the latest value, regardless of whether the polling bit is on or off. On power up, all values are updated regardless of Polling bit settings. Polling coil values are saved in E²PROM memory. Factory settings is "on" for all Polling coils.

| TYPICAL UPDATE TIMES** | |
|----------------------------|----------------------------|
| PAX | PAXI/PAXCK |
| All values (10) - 1.15 sec | All values (19) - 900 msec |
| 5 values - 500 msec | 10 values - 480 msec |
| 1 value - 100 msec | 5 values - 230 msec |
| | 1 value - 52 msec |

**Update time is the typical time to update the internal memory provided no MODBUS requests are incoming.

Coils 21-29 (PAX), Coils 31-49 (PAXI/PAXCK): Terminating Coils

This set of coils determines what terminating character is sent to the PAX meter when a write command is executed. If the flag is 0, a \$ is used as the terminating character and the value is not saved to E²PROM memory in the PAX. If the flag is 1, an * is used as the terminating character and the value is saved to E²PROM memory in the PAX.

Coil 30: Response Delay

When a write command is issued, the new value is written to the PAX. If the coil is off, the MODBUS write response is not issued until the value is read back from the PAX. For MODBUS reads, if a polling coil is off, the response is not issued until the latest value is read back from the PAX. If the coil is set "on" the MODBUS response is issued as soon the received command is complete. The write coil is saved in E²PROM memory. Factory setting is on.

This page intentionally left blank

LIMITED WARRANTY

The Company warrants the products it manufactures against defects in materials and workmanship for a period limited to one year from the date of shipment, provided the products have been stored, handled, installed, and used under proper conditions. The Company's liability under this limited warranty shall extend only to the repair or replacement of a defective product, at The Company's option. The Company disclaims all liability for any affirmation, promise or representation with respect to the products.

The customer agrees to hold Red Lion Controls harmless from, defend, and indemnify RLC against damages, claims, and expenses arising out of subsequent sales of RLC products or products containing components manufactured by RLC and based upon personal injuries, deaths, property damage, lost profits, and other matters which Buyer, its employees, or sub-contractors are or may be to any extent liable, including without limitation penalties imposed by the Consumer Product Safety Act (P.L. 92-573) and liability imposed upon any person pursuant to the Magnuson-Moss Warranty Act (P.L. 93-637), as now in effect or as amended hereafter.

No warranties expressed or implied are created with respect to The Company's products except those expressly contained herein. The Customer acknowledges the disclaimers and limitations contained herein and relies on no other warranties or affirmations.